

A Pulse-Generator Using LabVIEW FPGA

D. Beck, H. Brand, H. Hahn, F. Herfurth, S. Koszudowski

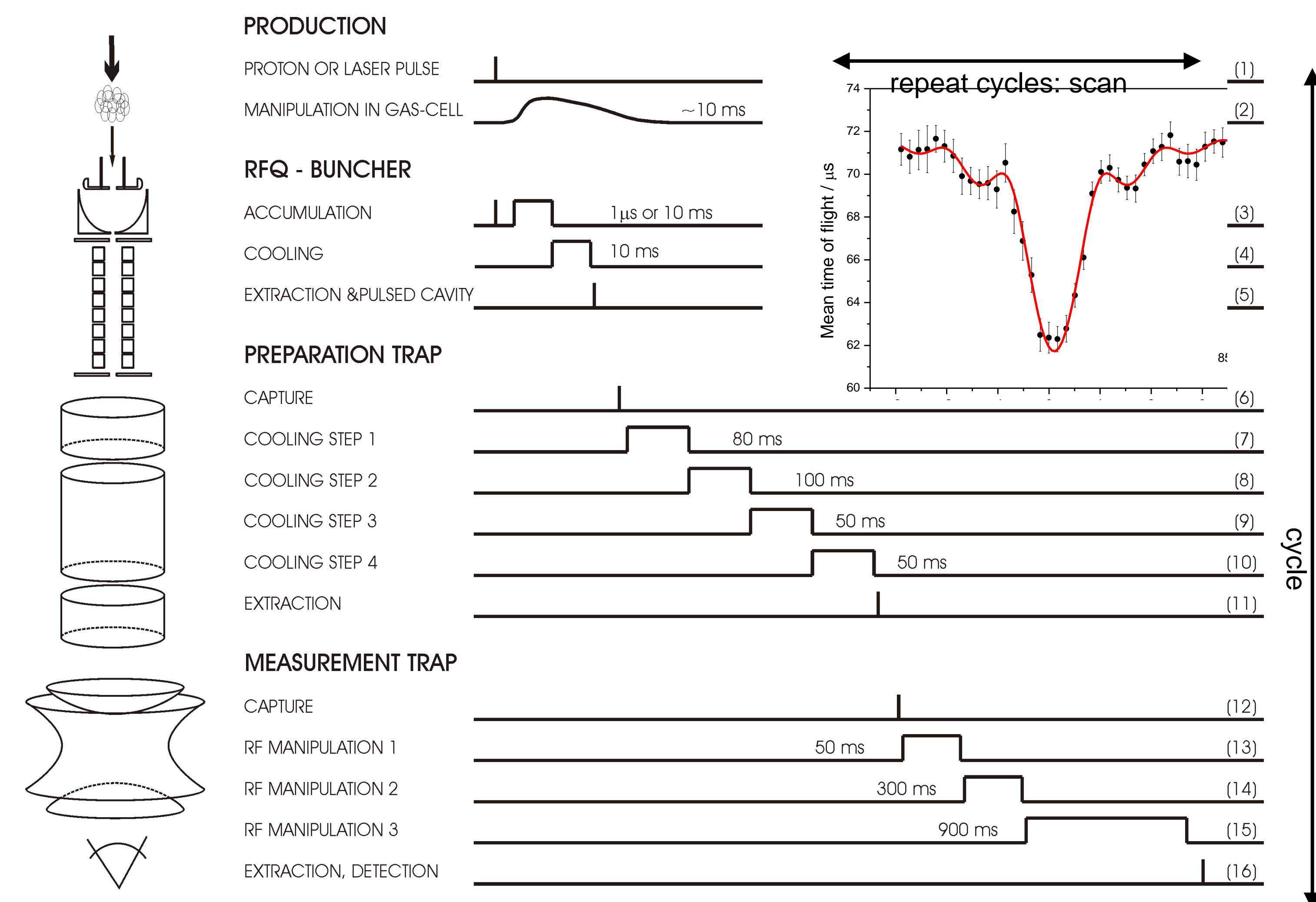
GSI Helmholtzzentrum für Schwerionenforschung GmbH, Planckstraße 1, D-64291 Darmstadt, Germany

G. Marx, L. Schweikhard, F. Ziegler

Institut für Physik, Ernst-Moritz-Arndt-Universität, D-17487 Greifswald, Germany

Motivation

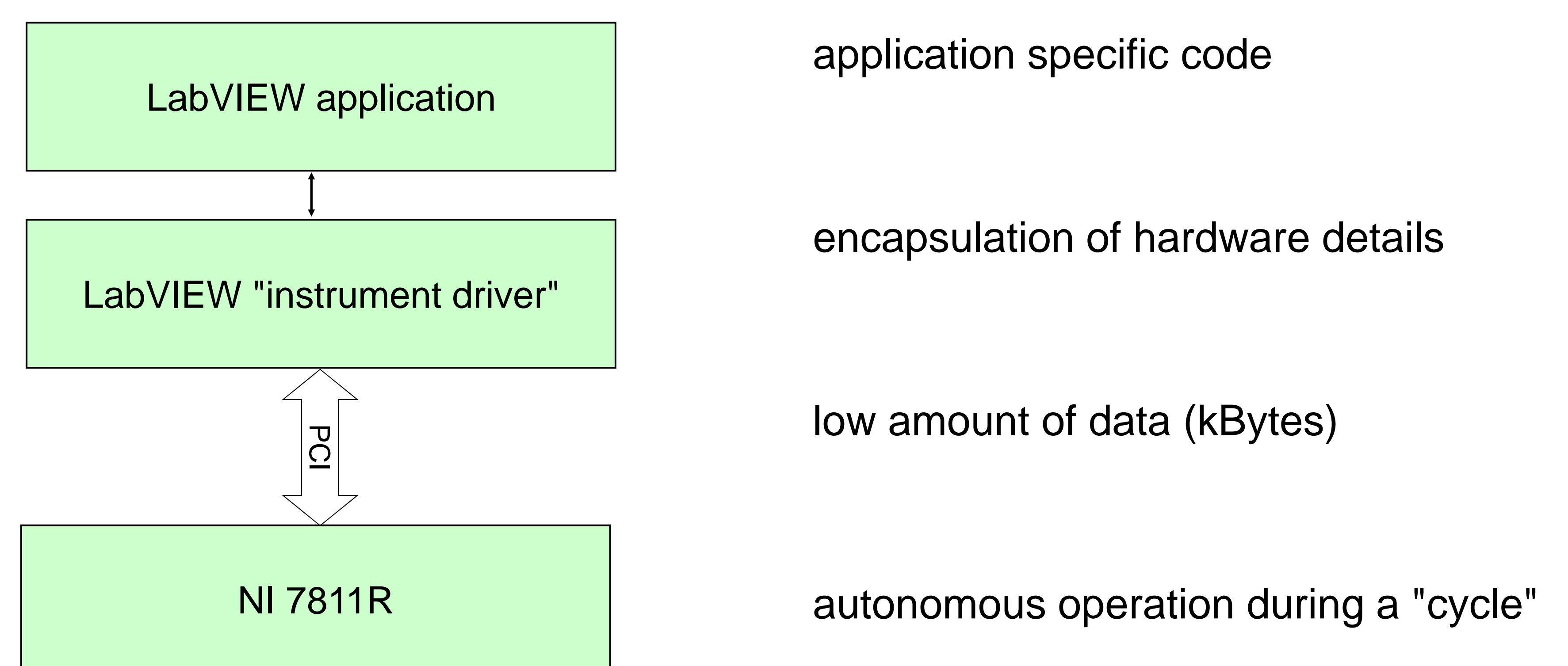
Timing system for small (~10 m) ion trap facilities



- synchronization to external trigger conditions
- synchronize/adjust steps with 10ns precision
- pattern width 64 bit, each bit is one output line
- pattern is applied for a specified time
 - 10000000 @ $t = 0 \mu\text{s}$
 - 10000001 @ $t = 1.2 \mu\text{s}$
 - 11000101 @ $t = 235246.875 \mu\text{s}$
 -
- more requirements: loops, *fast context switching* ...

Implementation

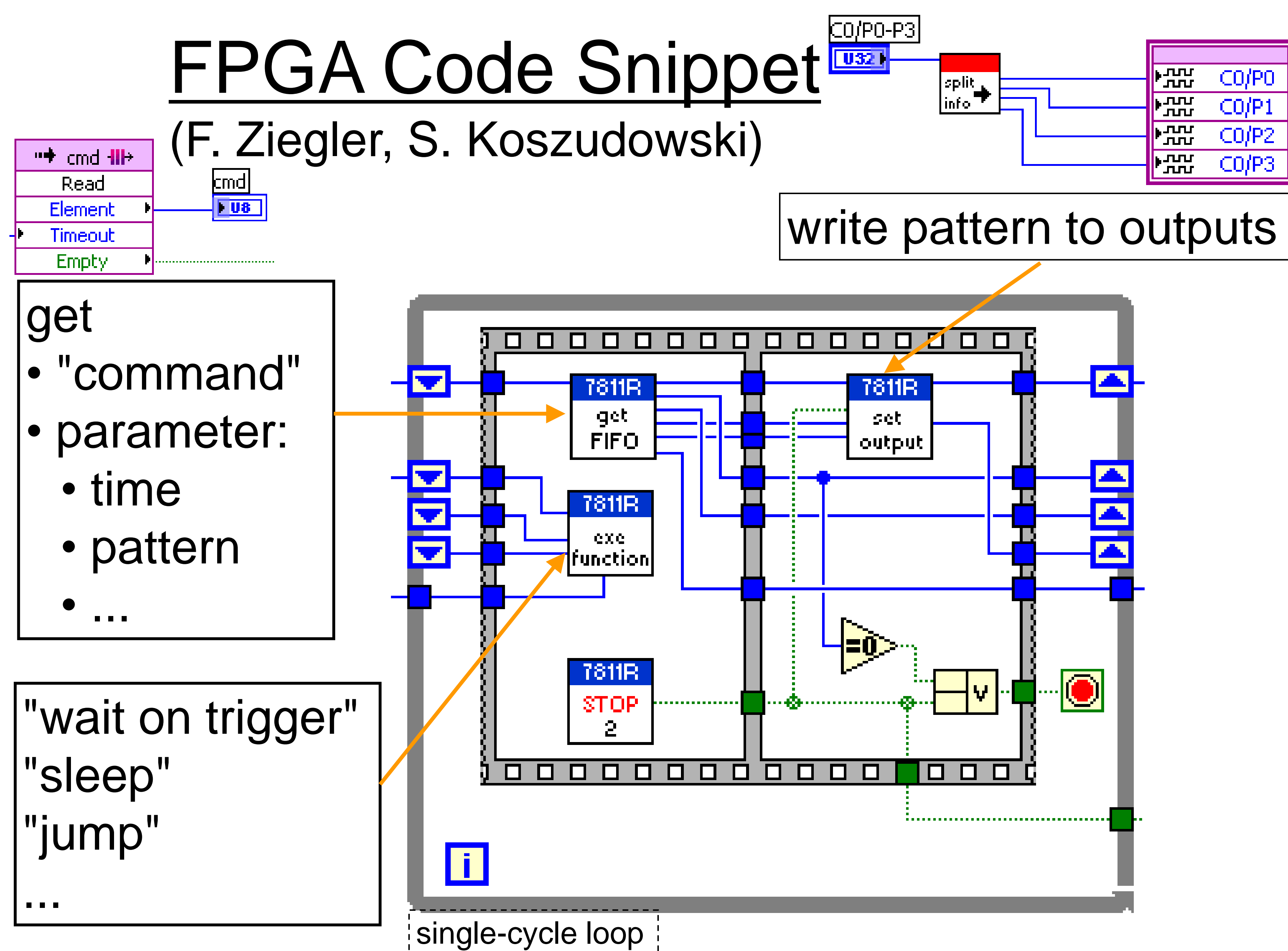
- PCI/PXI-7811R board from National Instruments ($\approx 1500,- \text{€}$)
- 160 digital lines (TTL)
- Virtex II, 1 M gates
- 80 MHz single-cycle loop (12.5ns resolution)
- timing of bit patterns independent of
 - operating system
 - data-bus
 - PC, CPU,
- can be programmed by FPGA non-experts using LabVIEW
- then: VHDL code generation, Xilinx tool chain, ...



Procedure: Commands with user defined pattern data are uploaded to onboard memory. Pattern

FPGA Code Snippet

(F. Ziegler, S. Koszudowski)



Status and Remarks

- presently (2009) used at six experiments*
- FPGA compile time about 50 minutes (PIV, 3GHz)
- code also runs on other FPGA cards 7813, 7831, 7833, PCI/PXI
 - requires re-compilation of FPGA code
 - requires modification of LabVIEW code (just a typedef, but ...)
- PCI: no synchronization to external reference clock
- PXI: phase-locked to 10 MHz PXI clock
- NI boards provide TTL output @ 4 mA on high density plugs
 - some devices need more current at trigger inputs
 - users connect one TTL output to multiple trigger inputs
 - users want Lemo plugs!
 - solution: signal conditioning using a TTL line-driver module (see picture)

*References

- [1] F. Herfurth, Int. J. Mod. Phys. E 18, 2 (2009) 392-404.
- [2] M. Block et al., EPJ D 45 (2007) 39-45.
- [3] H.-J. Kluge et al., Adv. Quant. Chem. 53 (2008) 83-98.
- [4] M. Mukherjee et al., Eur. Phys. J. A 35 (2008) 1-29.
- [5] L. Schweikhard et al., Eur. Phys. J. D 9 (1999) 15-20.
- [6] J.B. Neumayr et al., Nucl. Instrum. Meth. 244 (2006) 489-500.
- [7] V.S. Kolhinen et al., Nucl. Instrum. Meth. B 266 (2008) 4547-4550.
- [9] J. Ketelaer et al., Nucl. Instrum. Meth. A 594 (2008) 162-177.

